

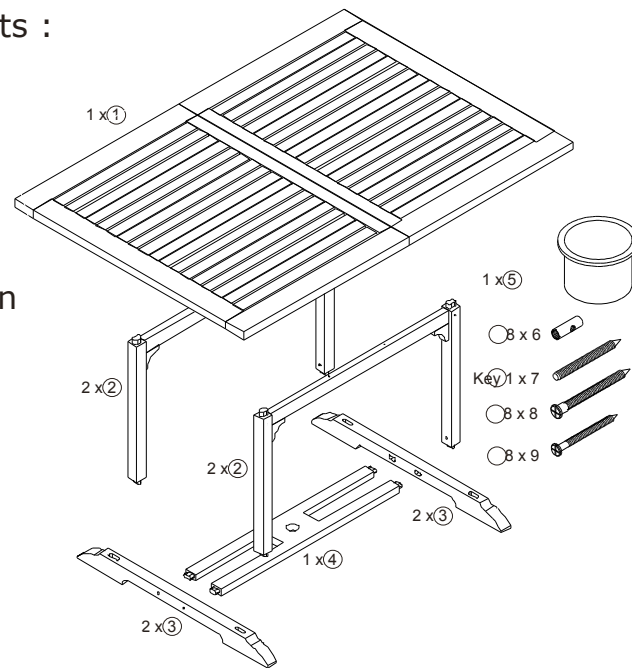
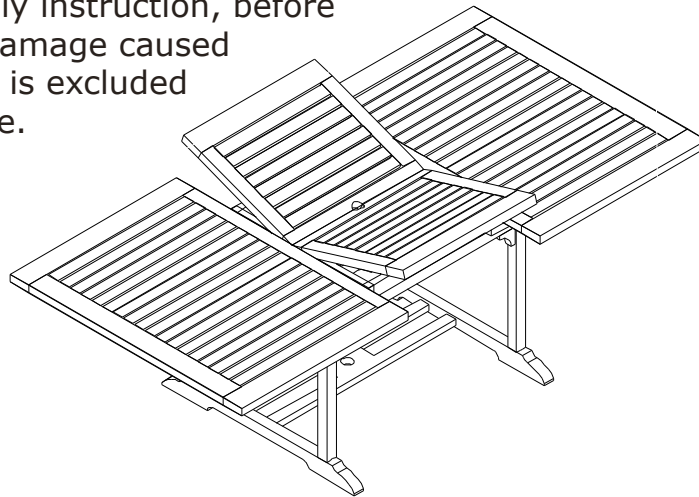
Kindly read thoroughly assembly instruction, before assembling this product. Any damage caused by not adhering to this manual is excluded from any liability and guarantee.

Contents

Required Tools :
-Screw Driver
-Rubber hammer

This product is delivered in carton box and contains the following components :

- | | |
|------------------------|-----------|
| 1. Table Top | : 1 unit |
| 2. Legs | : 2 units |
| 3. Feet | : 2 units |
| 4. Adjoining Part | : 1 unit |
| 5. Umbrella hole cover | : 1 unit |
- Following components provided in a small box inside the package:
- | | |
|------------|-----------|
| 6. Bushing | : 8 units |
| 7. Key | : 1 unit |
| 8. Screw | : 8 units |
| 9. Bolts | : 8 units |



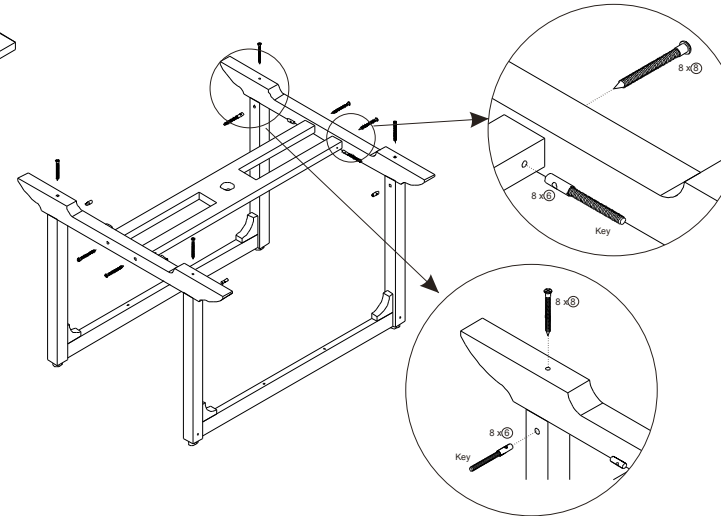
Instruction

Assembly :

Before assembly, check for all the components are inside the box.

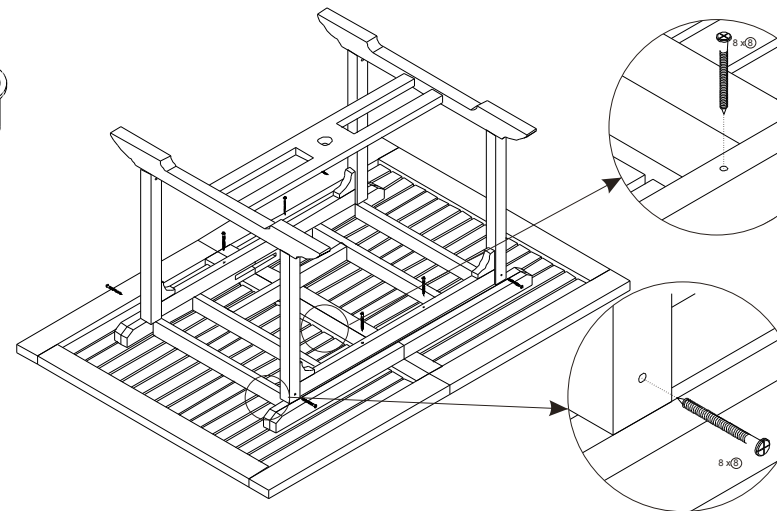
1 st step :

- Join the adjacent feet in the adjoining part as per the color label.
- Insert the bushing in the adjoining part and tighten it with bolts from both sides.
- Now insert the 2x legs into the above assembled part as the color labels.. Now turn the whole stucture up side down to fix the bolts from bottom.



Second step :

- . Turn the table top up side down.
- . Insert the above assembled base structure into the table top as per the color labels.
- . Use screw (8 unit) fix the bottom to the table top as shown in the picture.



Note : All our products come with a product ID Card. Kindly keep the card for any claims