

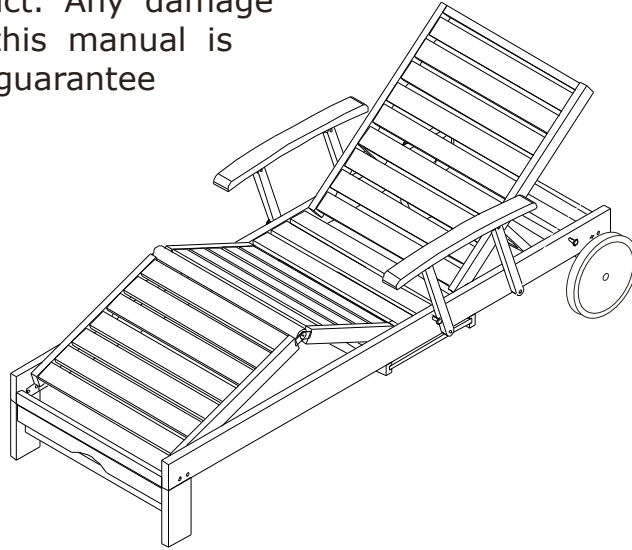
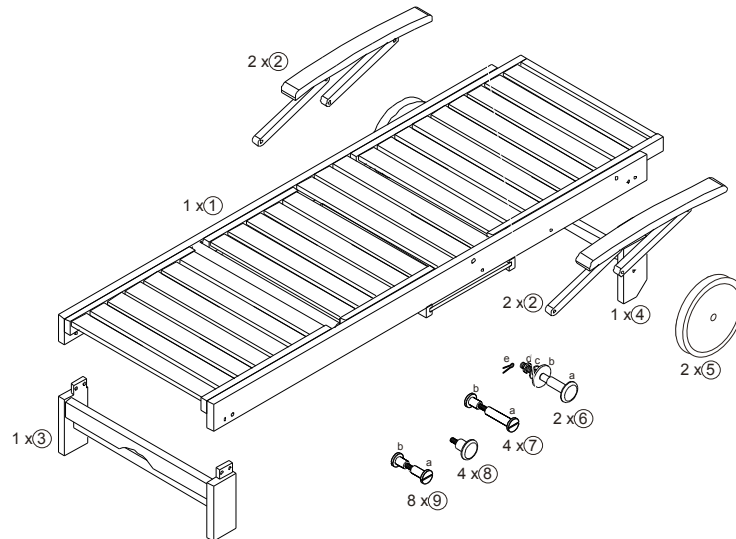
Kindly read thoroughly assembly instruction, before assembling this product. Any damage caused by not adhering to this manual is excluded from any liability and guarantee

Contents

Required Tools:
- Screw Driver
- Rubber hammer

This product is delivered in carton box and contains the following components:

- | | |
|----------------|-----------|
| 1. Lounger Bed | : 1 unit |
| 2. Arms | : 2 units |
| 3. Front Leg | : 1 unit |
| 4. Rear Leg | : 1 unit |
| 5. Wheels | : 2 units |
| 6. Wheel Bolts | : 2 units |
| 7. Arm Bolt | : 4 units |
| 8. Arm Stopper | : 4 units |
| 9. Small Bolts | : 8 units |



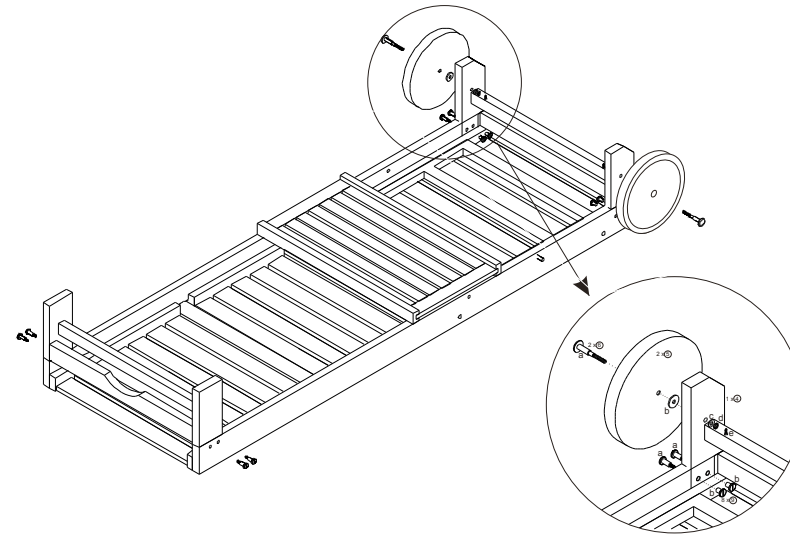
Instruction

Assembly :

Before assembly, check for all the components are inside the box.

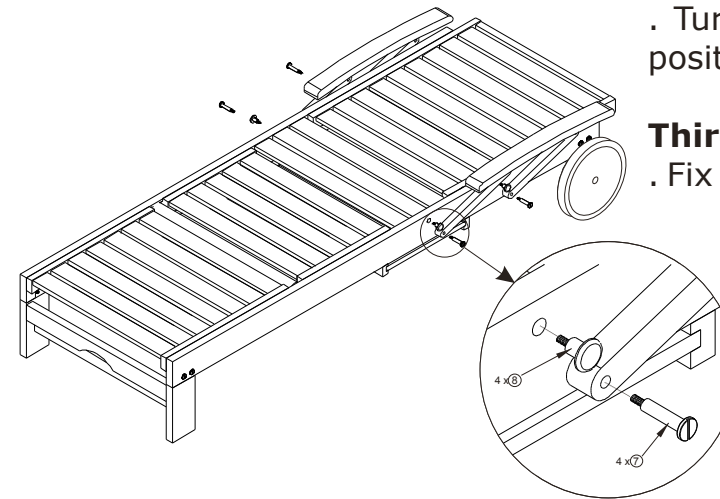
1st step:

- .Join the adjacent feet in the adjoining part as per the color label.
- . Turn the Lounger Bed upside down to fix the leg.
- . Fix the Front + Rear Legs with respective 8x Bolts.



Second step:

- . Now fix the 2x Wheels to the Rear Legs by 2x Wheel Bolt.
- . Turn the Lounger to the right position.



Third step:

- . Fix Arm to the Lounger with the 4x Arm Bolts and as per the color labels.
- . Now fix the 4x Arm Stopper as per the picture.

Note : All our products come with a product ID Card. Kindly keep the card for any claims