

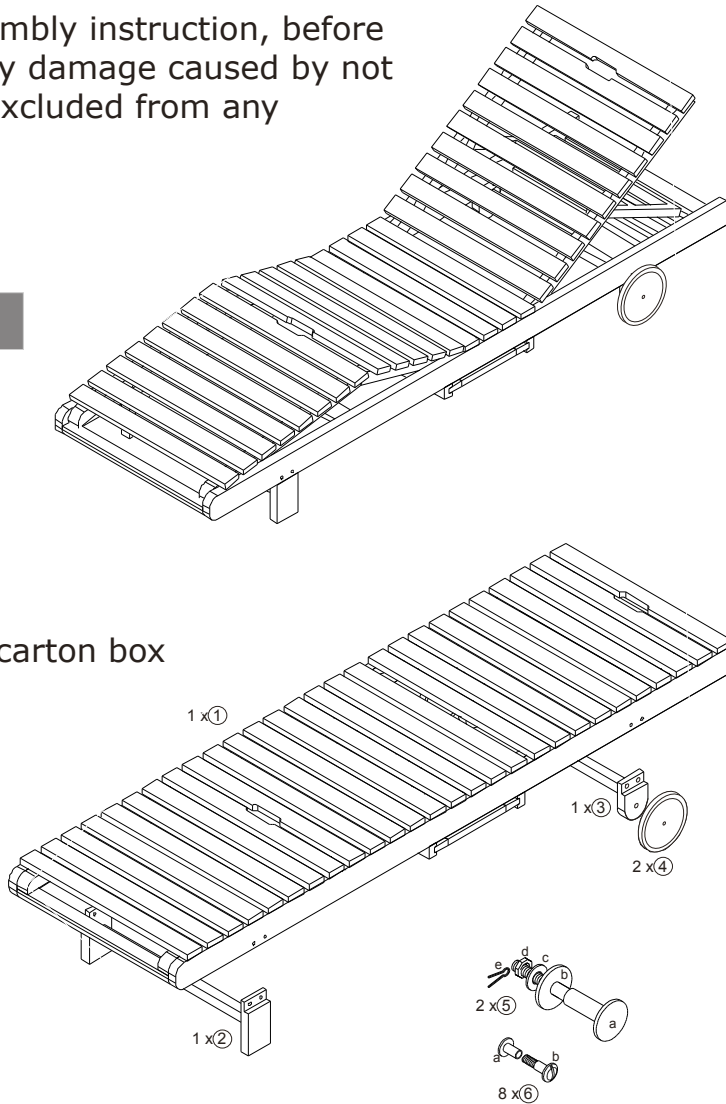
Kindly read thoroughly assembly instruction, before assembling this product. Any damage caused by not adhering to this manual is excluded from any liability and guarantee

Contents

Required Tools:
- Screw Driver
- Rubber hammer

This product is delivered in carton box and contains the following components:

- 1. Lounger Bed : 1 unit
- 2. Front Leg : 1 unit
- 3. Rear Leg : 1 unit
- 4. Wheels : 2 units
- 5. Wheel Bolts : 2 units
- 6. Bolts : 8 units



Note : All our products come with a product ID Card. Kindly keep the card for any claims

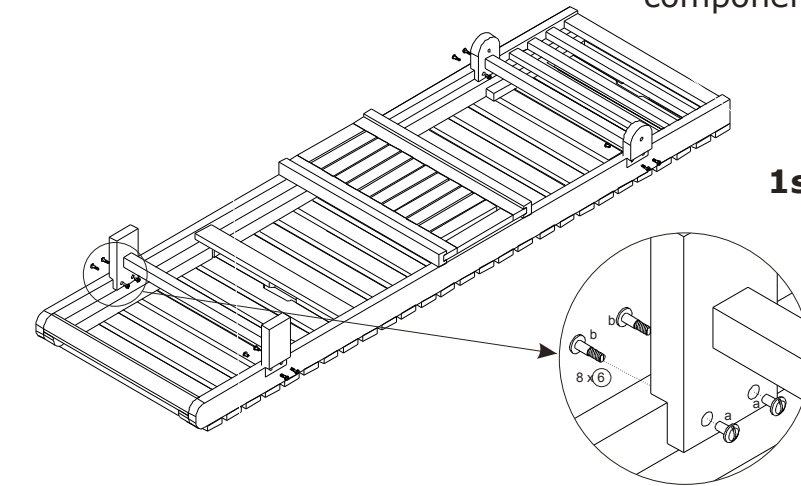
Instruction

Assembly :

Before assembly, check for all the components are inside the box.

1st step:

- . Join the adjacent feet in the adjoining part as per the color label.
- . Turn the Lounger Bed upside down to fix the leg.
- . Fix the Front + Rear Legs with respective 8x



Bolts.

Second step:

- . Now fix the 2x Wheels to the Rear Legs by 2x Wheel Bolt.
- . Turn the Lounger to the right position and enjoy the purchase.

