

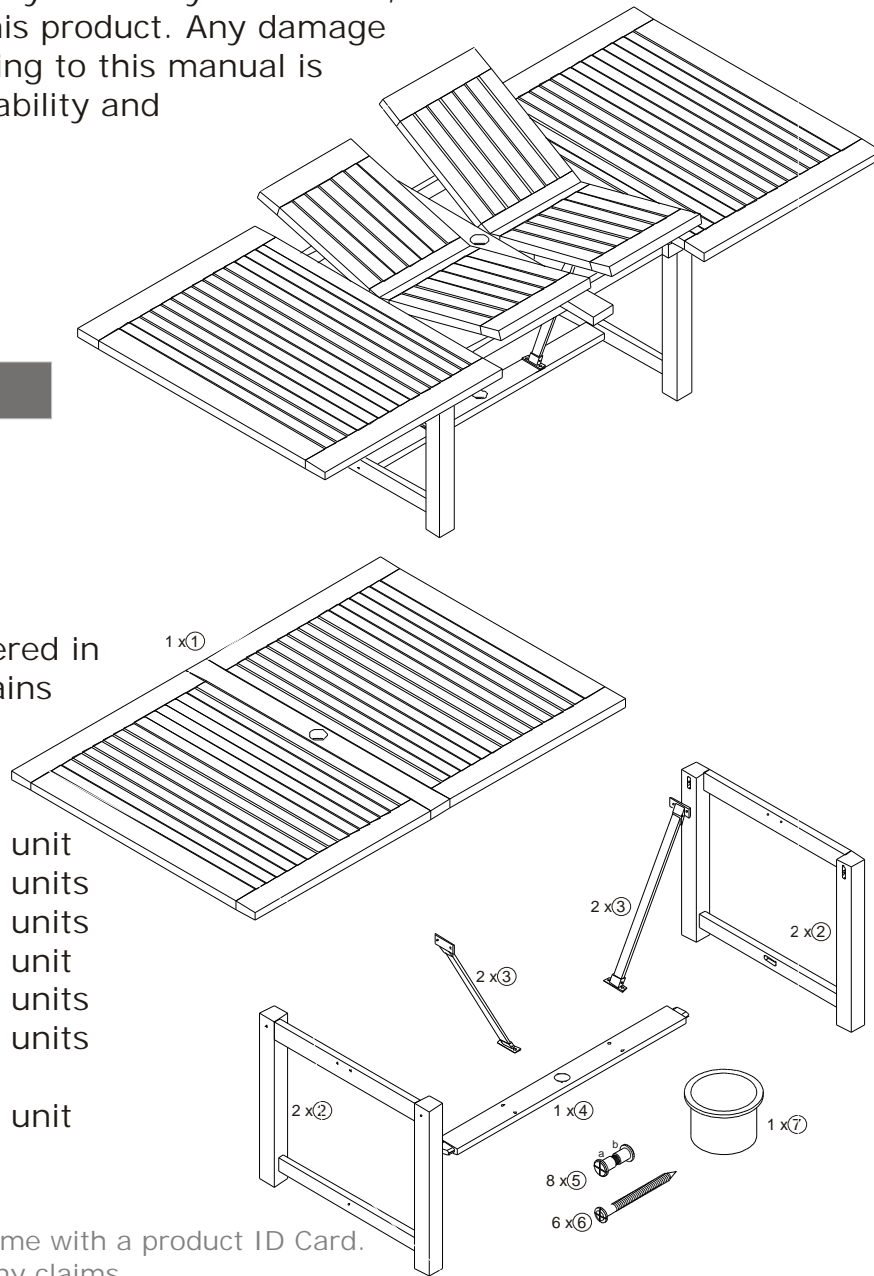
Kindly read thoroughly assembly instruction, before assembling this product. Any damage caused by not adhering to this manual is excluded from any liability and guarantee.

Contents

Required Tools:
- Screw Driver
- Rubber hammer

This product is delivered in carton box and contains the following components:

- | | |
|------------------------|-----------|
| 1. Table Top | : 1 unit |
| 2. Legs | : 2 units |
| 3. Angle Beams | : 2 units |
| 4. Adjoining Part | : 1 unit |
| 5. Bolts | : 8 units |
| 6. Screws | : 6 units |
| 7. Umbrella hole Cover | : 1 unit |

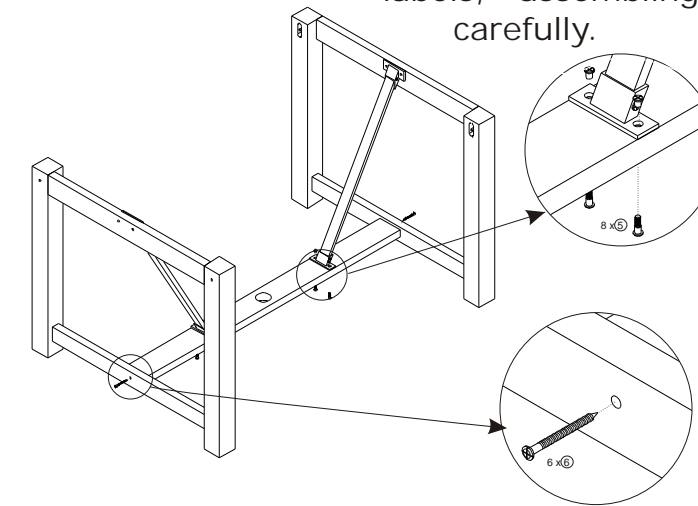


Note : All our products come with a product ID Card. Kindly keep the card for any claims

Instruction

Assembly:

Before assembly, make sure all the components are delivered inside the box. Assembling this product is easy, if the picture color labels, assembling instruction, are followed carefully.



1st step:

- . Join the adjacent feet in the Adjoining Part as per the color labels.
- . Screw the Adjoining Part to the Feet from both side.
- . Fix the 2x Angle Beams to the assembled part with the 8x Bolt.

Second step:

- . Turn the table top upside down to fix the base structure.

- . Fix the base structure with the Table Top as per color labels.

- . Now use 4x Screw to tighten the base structure to the top as per the picture.

Third step:

- . Turn the whole structure to the normal position and the product is ready to use.

