

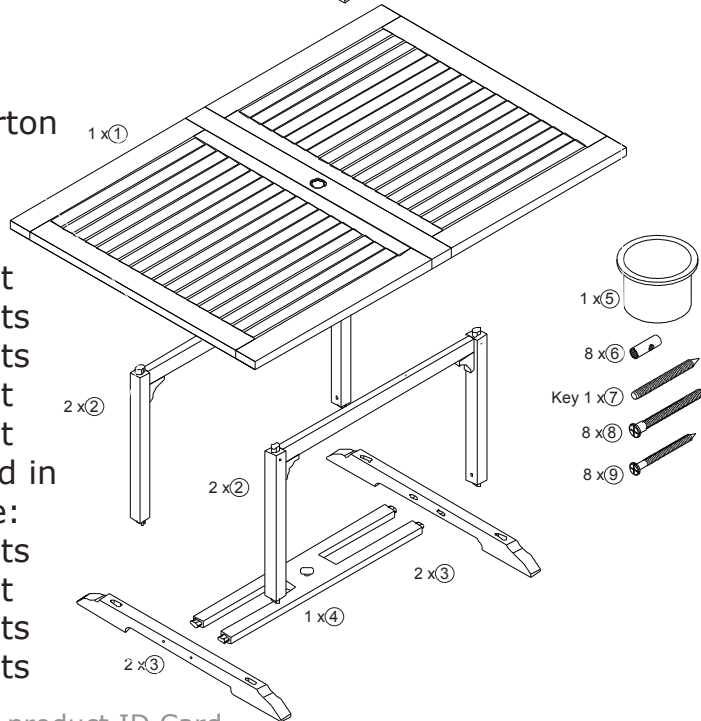
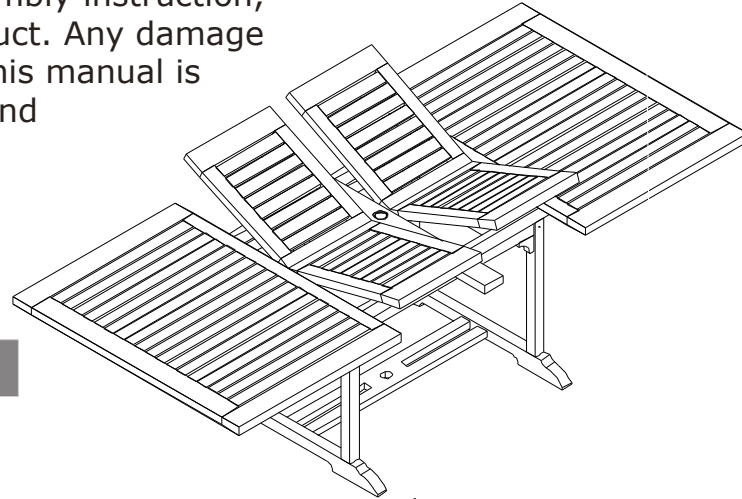
Kindly read thoroughly assembly instruction, before assembling this product. Any damage caused by not adhering to this manual is excluded from any liability and guarantee.

### Contents

**Required Tools :**  
-Screw Driver  
-Rubber hammer

This product is delivered in carton box and contains the following components :

- |  |           |
|--|-----------|
| 1. Table Top   | : 1 unit  |
| 2. Legs  | : 2 units |
| 3. Feet  | : 2 units |
| 4. Adjoining Part  | : 1 unit  |
| 5. Umbrella hole cover   | : 1 unit  |
| Following components provided in a small box inside the package: |           |
| 6. Bushing   | : 8 units |
| 7. Key   | : 1 unit  |
| 8. Screw   | : 8 units |
| 9. Bolts   | : 8 units |



**Note :** All our products come with a product ID Card. Kindly keep the card for any claims

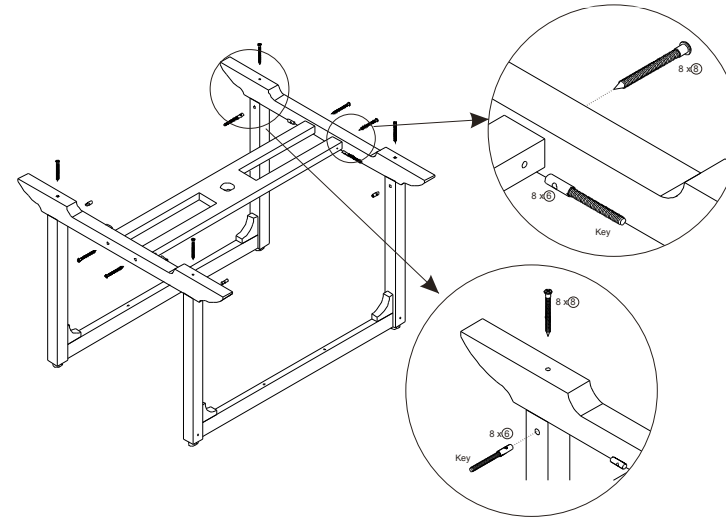
### Instruction

#### Assembly :

Before assembly, check for all the components are inside the box.

#### 1 st step :

- Join the adjacent feet in the adjoining part as per the color label.
- Insert the bushing in the adjoining part and tighten it with bolts from both sides.
- Now insert the 2x legs into the above assembled part as the color labels.. Now turn the whole structure up side down to fix the bolts from bottom.



#### Second step :

- . Turn the table top up side down.
- . Insert the above assembled base structure into the table as per the color labels.
- . Use screw ( 8 unit) fix the bottom to the table top as shown in the picture.

